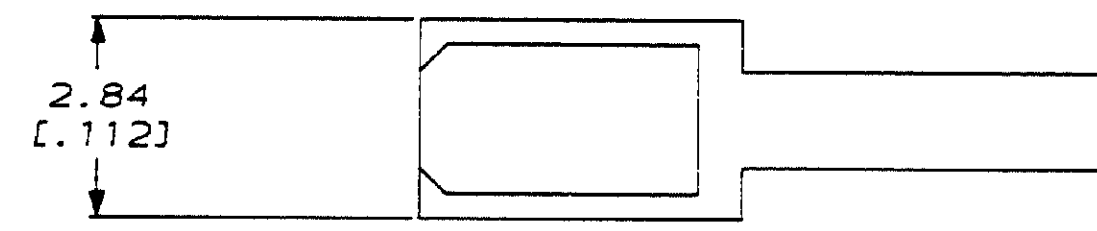
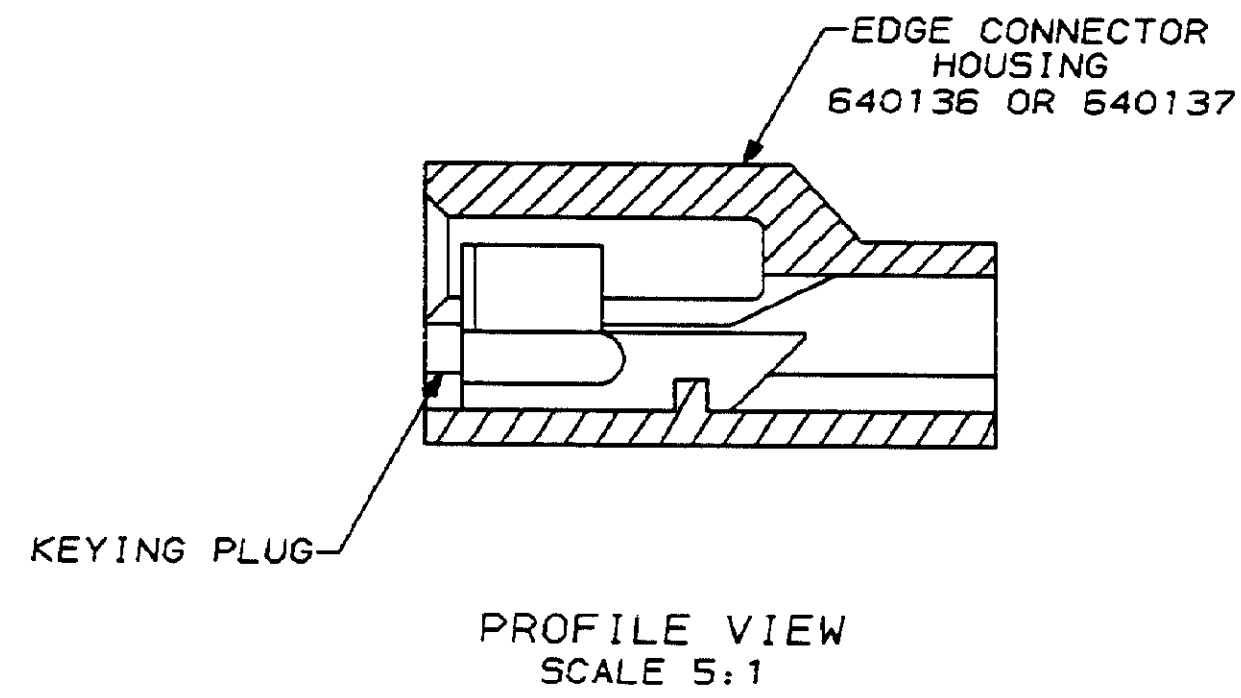
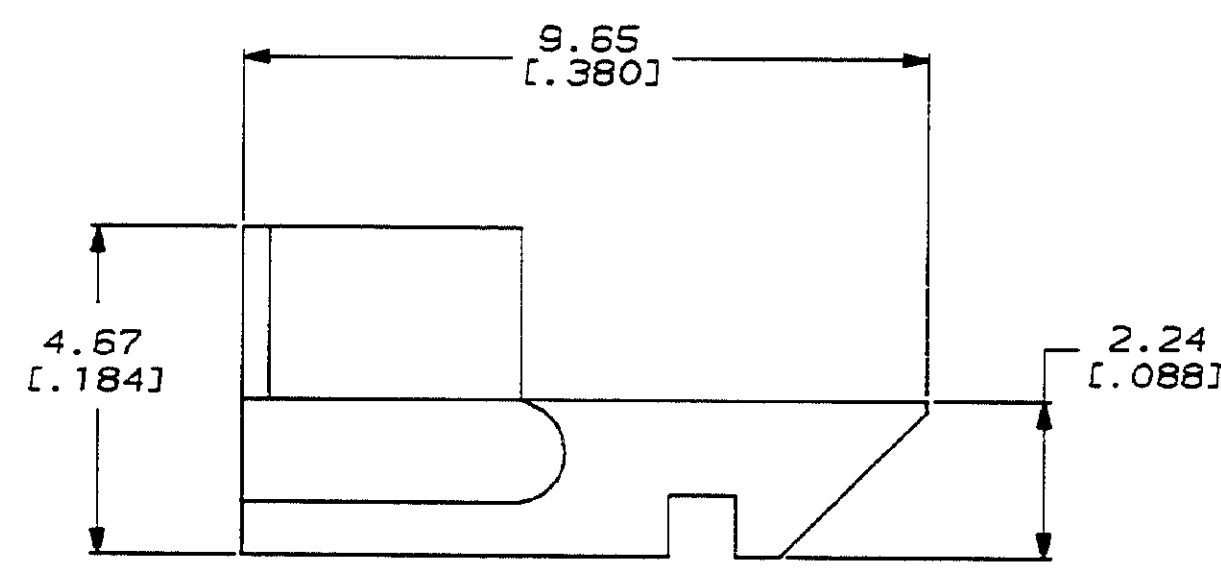
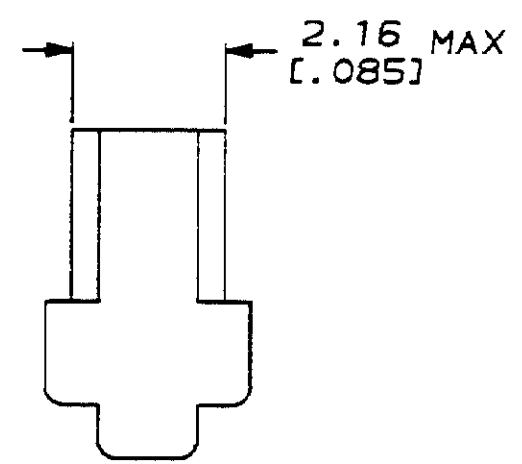


LOC	DIST	P	F	ZONE	LTR	REVISIONS	DATE	APPRO
CM	52					F REDRAWN & REVISED PER ECN CM-11	11-21-91	KS RS



1. DIMENSIONS IN BRACKETS ARE IN INCHES.



METRIC

640180-1
PART NUMBER

DO NOT SCALE PRINT. UNLESS SPECIFIED DIMENSIONS IN INCHES. TOLERANCES ON: 2 PLC DEC ± 0.13 [0.005] ANGLES ±		DR 11-21-91 K. SALMON	PART NO	
MATERIAL NYLON, 94V-2 (NATURAL)		CHK 11-21-91 R. SWING	AMP INCORPORATED Harrisburg, Pa. 17105	
FINISH		APPD 4-24-92 W. LONG	NAME KEYING PLUG, P.C. CONNECTOR, BIFURCATED LEAF	
APPLICATION SPEC		APPD 4-24-92 W. LONG	SIZE D	FSCM NO 00779
WEIGHT		PRODUCT SPEC	SCALE 10:1	DRAWING NO 640180
				SHEET 1 OF 1

CUSTOMER DRAWING

AMP BUSINESS GROUP 3329 177P-1 WITH SALMON